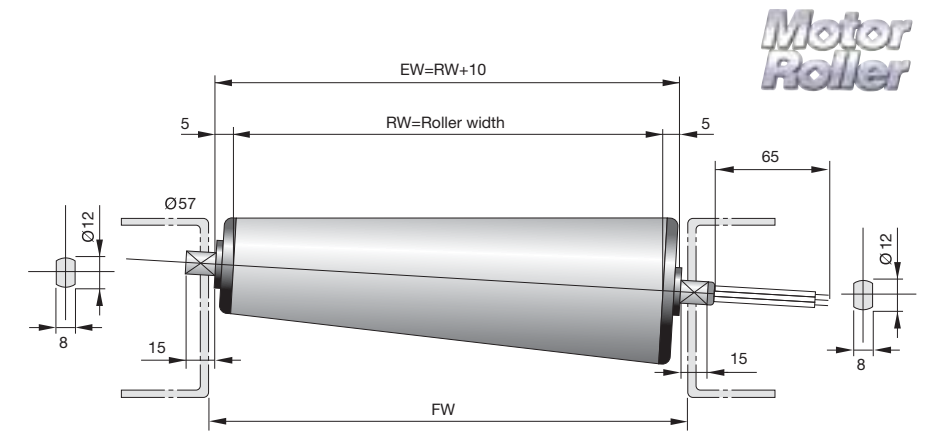
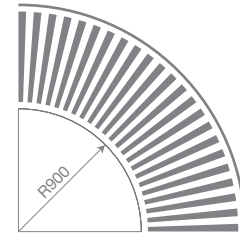
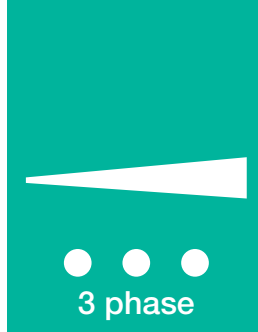


Tapered Rollers 57R9



Tapered roller dimensions/weight

RW=Roller width (FW-12)	300	400	500	600	700	800
Width inside the frame (FW)	312	412	512	612	712	812
Weight (kg)	2.8	3.1	3.5	4.1	5.1	6.2
Snap-on shaft	○	○	○	○	○	○

50Hz

57R9SC J-C J-3-200/220/380/415

Roller width Small dia. 57mm R=900	300 (large dia. 75mm center dia. 66mm)		400 (large dia. 80mm center dia. 69mm)		500 (large dia. 85mm center dia. 72mm)		600 (large dia. 90mm center dia. 75mm)		700 (large dia. 97mm center dia. 78mm)		800 (large dia. 102mm center dia. 81mm)		Roller width Small dia. 57mm R=900
	Speed (m/min.)	Tangential force (N)	Speed (m/min.)	Tangential force (N)	Speed (m/min.)	Tangential force (N)	Speed (m/min.)	Tangential force (N)	Speed (m/min.)	Tangential force (N)	Speed (m/min.)	Tangential force (N)	
57R9S 4-[]-3-[]	5.2	130	5.4	124	5.7	119	5.9	114	6.2	110	6.4	106	57R9S 4-[]-3-[]
57R9S 6-[]-3-[]	7.5	95	7.9	91	8.2	87	8.6	84	8.9	80	9.2	77	57R9S 6-[]-3-[]
57R9S 8-[]-3-[]	9.8	73	10.3	70	10.7	67	11.2	65	11.6	62	12.1	60	57R9S 8-[]-3-[]
57R9S10-[]-3-[]	12.2	56	12.7	54	13.3	51	13.8	49	14.4	48	14.9	46	57R9S10-[]-3-[]
57R9S13-[]-3-[]	16.7	47	17.5	45	18.3	43	19.0	41	19.8	40	20.5	38	57R9S13-[]-3-[]
57R9S15-[]-3-[]	20.3	39	21.2	37	22.1	36	23.0	34	23.9	33	24.9	32	57R9S15-[]-3-[]
57R9S20-[]-3-[]	24.3	29	25.4	27	26.5	26	27.6	25	28.7	24	29.8	23	57R9S20-[]-3-[]
57R9S25-[]-3-[]	30.1	23	31.5	22	32.8	21	34.2	21	35.6	20	36.9	19	57R9S25-[]-3-[]
57R9S30-[]-3-[]	37.1	19	38.7	18	40.4	17	42.1	17	43.8	16	45.5	15	57R9S30-[]-3-[]
57R9S35-[]-3-[]	40.5	16	42.4	16	44.2	15	46.1	14	47.9	14	49.7	13	57R9S35-[]-3-[]
57R9S45-[]-3-[]	52.1	12	54.5	12	58.8	11	59.2	11	61.6	10	63.9	10	57R9S45-[]-3-[]

motor 57S motor is used. Refer to the relevant page for electric characteristics.
The figures in the above table show data obtained on the basis of roller center diameter and three-phase 220 V motor. motor

Please contact us for the accumulator type.

60Hz

57R9SC J-C J-3-200/220/380/480

Roller width Small dia. 57mm R=900	300 (large dia. 75mm center dia. 66mm)		400 (large dia. 80mm center dia. 69mm)		500 (large dia. 85mm center dia. 72mm)		600 (large dia. 90mm center dia. 75mm)		700 (large dia. 97mm center dia. 78mm)		800 (large dia. 102mm center dia. 81mm)		Roller width Small dia. 57mm R=900
	Speed (m/min.)	Tangential force (N)	Speed (m/min.)	Tangential force (N)	Speed (m/min.)	Tangential force (N)	Speed (m/min.)	Tangential force (N)	Speed (m/min.)	Tangential force (N)	Speed (m/min.)	Tangential force (N)	
57R9S 4-[]-3-[]	5.8	112	6.1	107	6.3	103	6.6	99	6.8	95	7.1	91	57R9S 4-[]-3-[]
57R9S 6-[]-3-[]	8.7	78	9.1	74	9.5	71	9.9	68	10.3	66	10.7	63	57R9S 6-[]-3-[]
57R9S 8-[]-3-[]	11.6	56	12.1	54	12.6	51	13.2	49	13.7	48	14.2	46	57R9S 8-[]-3-[]
57R9S10-[]-3-[]	13.9	41	14.5	39	15.2	37	15.8	36	16.4	34	17.1	33	57R9S10-[]-3-[]
57R9S13-[]-3-[]	20.2	34	21.1	32	22.0	31	22.9	30	23.9	29	24.8	28	57R9S13-[]-3-[]
57R9S15-[]-3-[]	23.2	29	24.2	28	25.3	27	26.3	26	27.4	25	28.4	24	57R9S15-[]-3-[]
57R9S20-[]-3-[]	27.8	22	29.1	21	30.3	21	31.6	20	32.8	19	34.1	18	57R9S20-[]-3-[]
57R9S25-[]-3-[]	34.7	17	36.3	17	37.9	16	39.5	15	41.1	15	42.6	14	57R9S25-[]-3-[]
57R9S30-[]-3-[]	41.7	14	43.6	13	45.5	13	47.4	12	49.3	12	51.2	11	57R9S30-[]-3-[]
57R9S35-[]-3-[]	48.6	12	50.8	12	53.1	11	55.3	11	57.5	10	59.7	10	57R9S35-[]-3-[]
57R9S45-[]-3-[]	62.5	10	65.4	9	68.2	9	71.1	8	73.9	8	76.7	8	57R9S45-[]-3-[]

motor 57S motor is used. Refer to the relevant page for electric characteristics.
The figures in the above table show data obtained on the basis of roller center diameter and three-phase 220 V motor. motor

Please contact us for the accumulator type.

